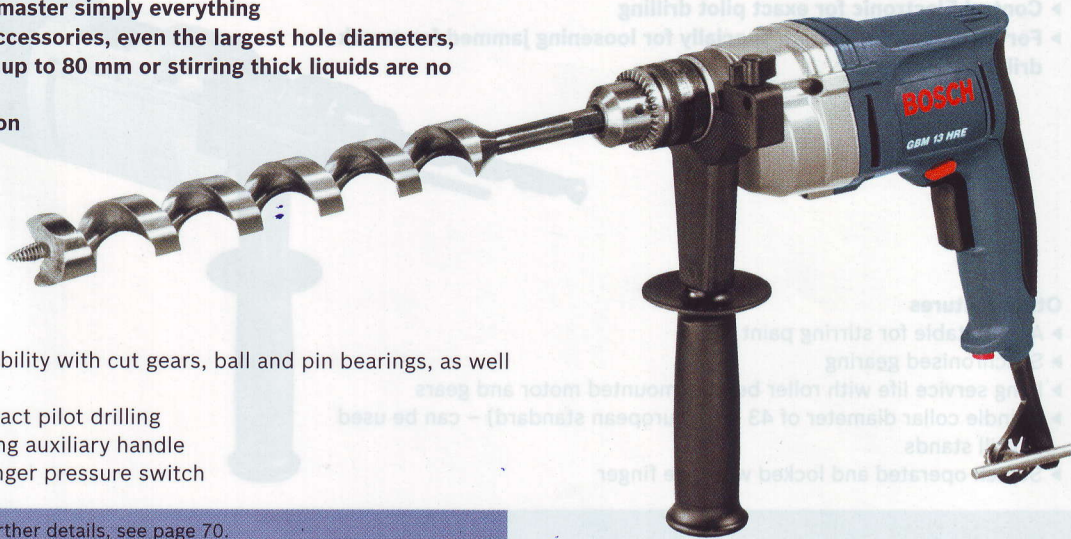


## GBM 13 HRE PROFESSIONAL

### THE STURDY POWER PACK

- ▶ The triple gearing and highest torque in its class (60 Nm) enable the Bosch GBM 13 HRE to master simply everything
- ▶ With the appropriate accessories, even the largest hole diameters, working with holesaws up to 80 mm or stirring thick liquids are no real challenge
- ▶ Forward/reverse rotation



### Other features

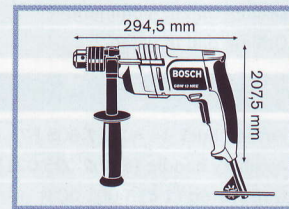
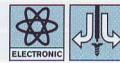
- ▶ Highest quality and durability with cut gears, ball and pin bearings, as well as metal gear housing
- ▶ Control Electronic for exact pilot drilling
- ▶ Safe grip with sturdy, long auxiliary handle
- ▶ Easy operation with 2-finger pressure switch

### Technical Data ... for further details, see page 70.

Part number	0 601 049 603
Rated power input	550 W
Drill chuck, version	Keyed chuck
Drilling dia. in aluminium	20 mm
Drilling dia. in wood	40 mm
Drilling spindle connecting thread	1/2" - 20 UNF

### Comes complete with

Keyed chuck 13 mm (1 608 571 062)	✓
Auxiliary handle (1 612 025 020)	✓



## GBM 13 PROFESSIONAL

### THE SOLID TOOL WITH LOTS OF POWER

- ▶ With spade handle for a firm grip
- ▶ Extremely high power reserves thanks to 900 W motor
- ▶ Especially suitable for drilling up to 13 mm dia. in steel



### Other features

- ▶ Cut-off carbon brushes
- ▶ Also ideally suited to operation in drill stands
- ▶ Long service life with roller bearing-mounted motor and gears
- ▶ Spindle collar diameter of 43 mm (European standard) – can be used in drill stands
- ▶ Switch operated and locked with one finger

### Technical Data ... for further details, see page 70.

Part number	0 601 119 103
Rated power input	900 W
Drill chuck, version	Keyed chuck
Drilling dia. in aluminium	20 mm
Drilling dia. in wood	32 mm

### Comes complete with

Keyed chuck 13 mm (1 608 571 048)	✓
-----------------------------------	---

